

# Maintaining the Gulf Intracoastal Waterway

Presented by: Randy L. Boyd, President of RLB Contracting, Inc.

# Who Maintains the GIWW?

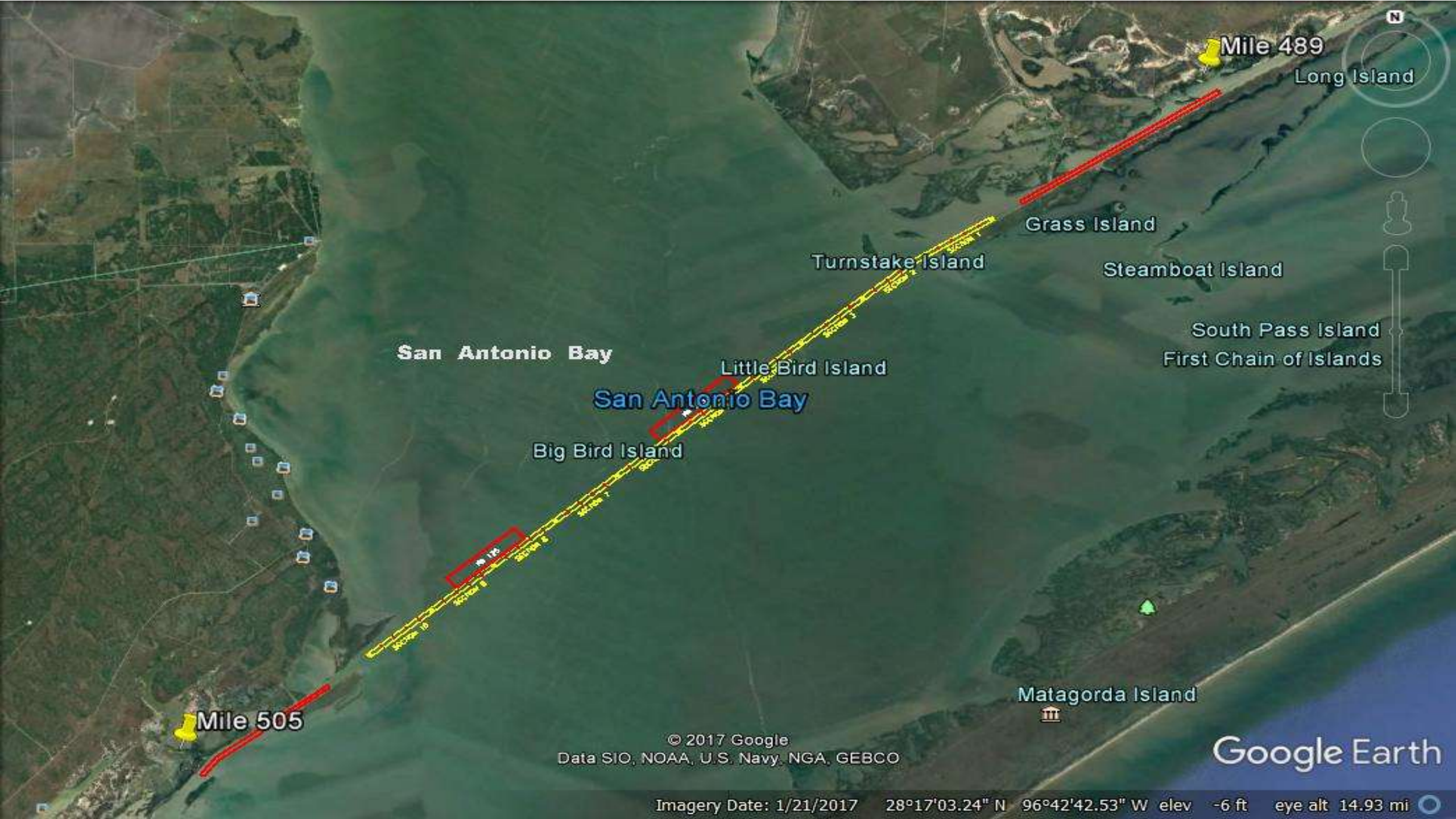
- The U.S. Army Corps of Engineers
- How does the USACE execute this task?
  - Dredging contracts
- Who gets these contracts and how are they awarded?
  - Dredging contractors
  - Lowest bidder

# USACE Contract

- Overview of a USACE contract
- San Antonio Bay Dredging Project
  - Restore the channel to authorized depth

# San Antonio Bay Contract

- 16 miles of channel being maintained
- 2.5 million cubic yards of material
  - 3x3 block
  - New Orleans to New York



Mile 489

Long Island

Grass Island

Turnstake Island

Steamboat Island

San Antonio Bay

Little Bird Island

South Pass Island  
First Chain of Islands

San Antonio Bay

Big Bird Island

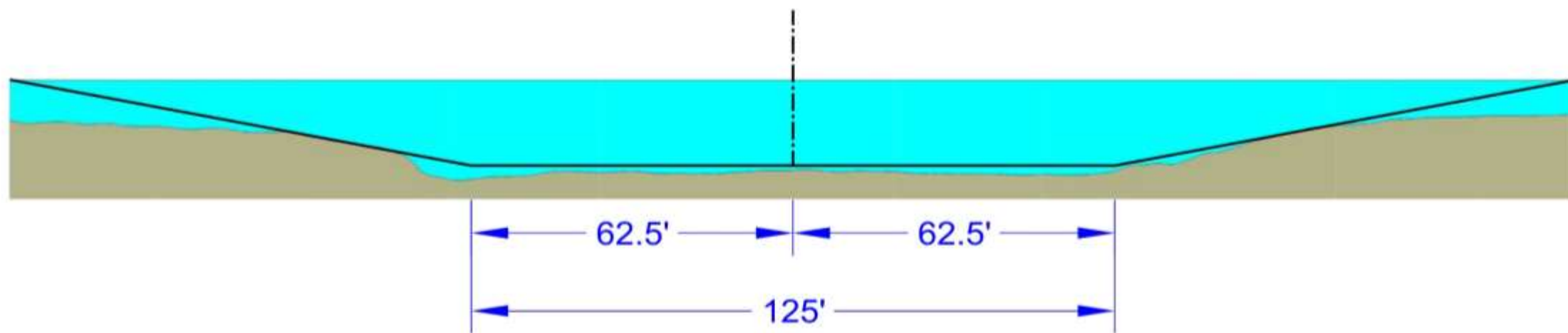
Matagorda Island

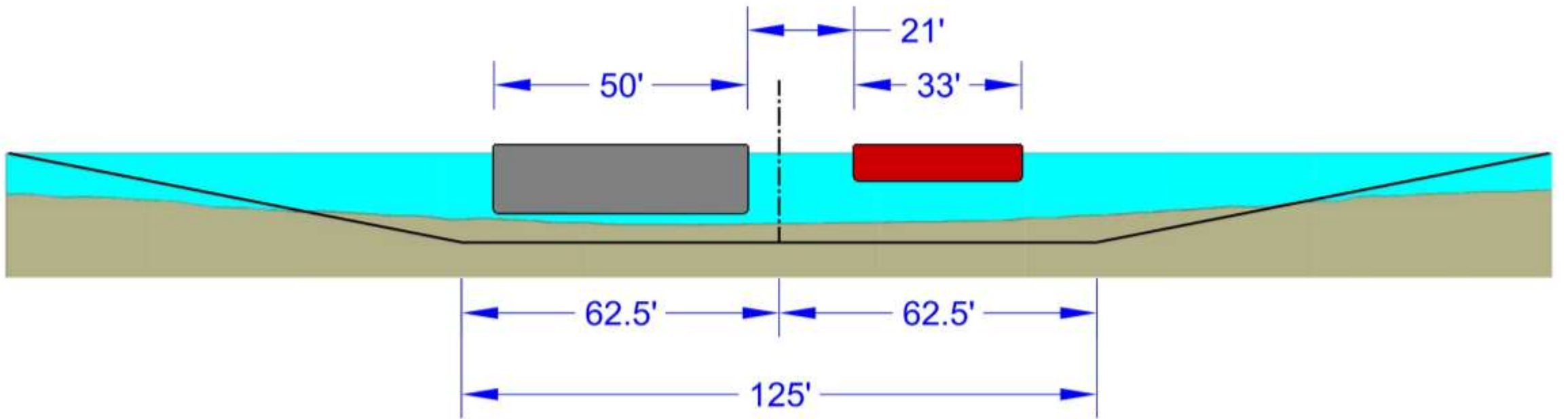
Mile 505

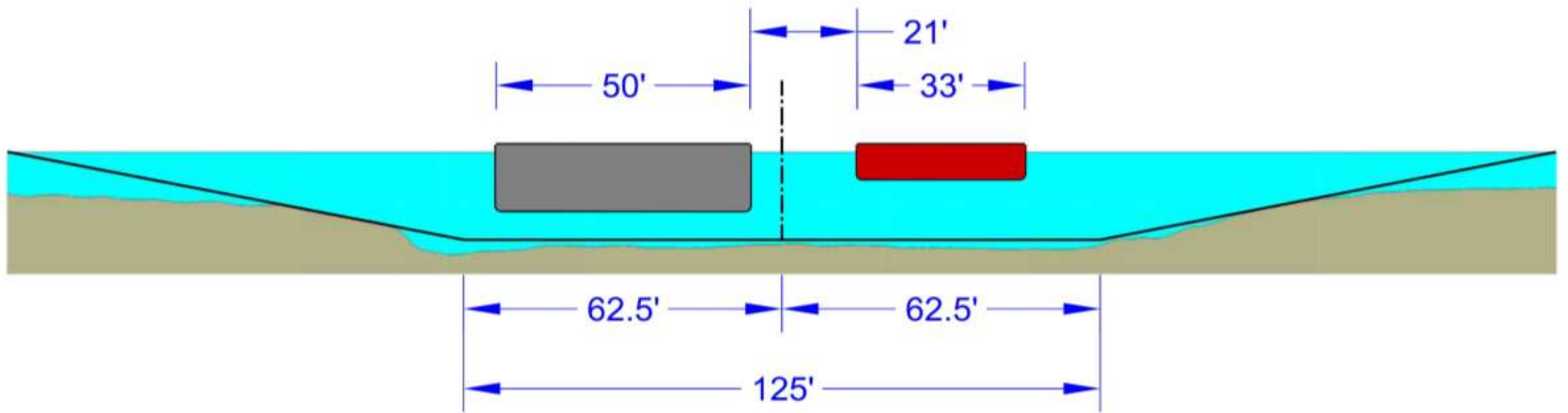
© 2017 Google  
Data SIO, NOAA, U.S. Navy, NGA, GEBCO

Google Earth

Imagery Date: 1/21/2017 28°17'03.24" N 96°42'42.53" W elev -6 ft eye alt 14.93 mi









# Hazards and Safety

- Vessels passing dredges
- Vessels grounding
- High current area
- High traffic areas
- Lack of mobility of the dredge